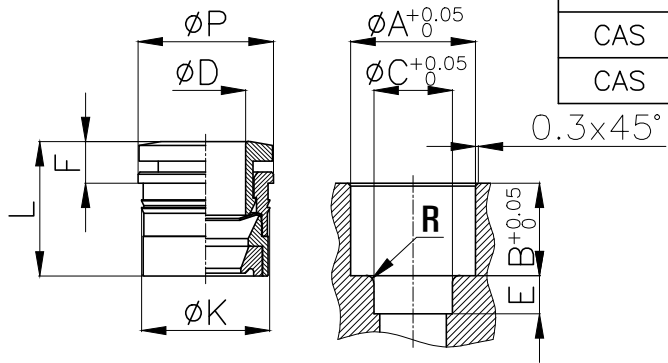


CAS



MODEL	øD	øP	øK	øA	øC	L	F	B	E	R	WEIGHT (g)	BOX(EA)
CAS 04	4	10.0	9.00	8.8	4.25	11.25	3.55	7.8	3.0	0.8	1.0	100
CAS 06	6	12.0	11.15	10.9	6.25	12.45	3.95	8.6	3.5	0.8	3.0	100
CAS 08	8	14.0	13.25	13.0	8.25	13.9	4.3	9.7	4.0	0.8	4.0	100
CAS 10	10	16.0	15.50	15.2	10.25	15.15	4.85	10.45	4.5	1.0	5.0	100
CAS 12	12	19.0	17.80	17.5	12.25	17.4	5.0	12.5	5.0	1.0	7.0	100