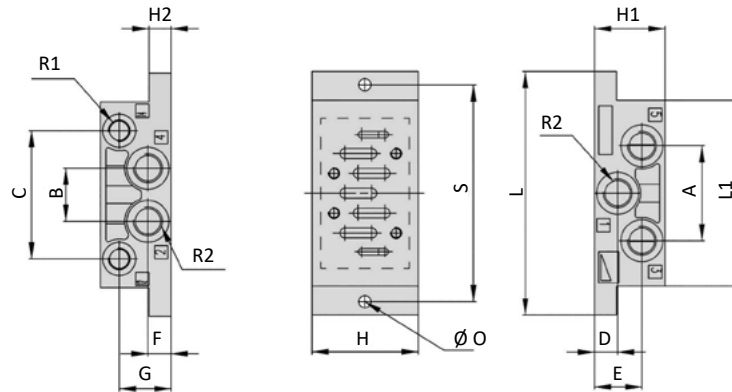


**Single sub-base, side ports, Form A**

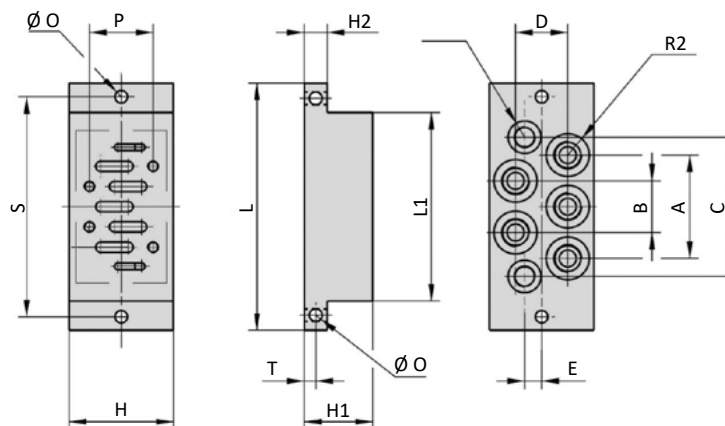
For the PI and MI valve series are single sub-bases available.  
 All mounting screws and the flat gasket are part of delivery of the valves.


**Dimensions**


Model-no.:	Size	A	B	C	D	E	F	G	H	H1	H2	L	L1	O	R1	R2	S
MI-011	ISO 1	43	24	58	10,5	21,5	10,5	23,5	48	32	10	110	84	5,5	G1/8	G1/4	98
MI-021	ISO 2	56	30	74	14	26	14	30	57	40	13	124	95	6,5	G1/8	G3/8	112
MI-031	ISO 3	68	32	90	17	17	17	22	71	32	18	149	119	6,5	G1/8	G1/2	136

**Single sub-base, bottom ports, Form B**

For the PI and MI valve series are single sub-bases available.  
 All mounting screws and the flat gasket are part of delivery of the valves.


**Dimensions**


Model-no.:	Size	A	B	C	D	E	H	H1	H2	L	L1	O	P	R1	R2	S	T
MI-012	ISO 1	46	23	61	23	7,5	46	30	10	110	84	5,5	28	G1/8	G1/4	98	5
MI-022	ISO 2	56	28	72	28	8	56	35	13	124	95	6,5	38	G1/8	G3/8	112	6,5
MI-032	ISO 3	68	34	90	34	10	71	32	18	149	119	6,5	48	G1/8	G1/2	136	9

## Sub-bases ISO 5599/1, Size 1 to 3

### Modular sub-base , one station, bottom ports, Form C

Scope of delivery:

1 x sub-base

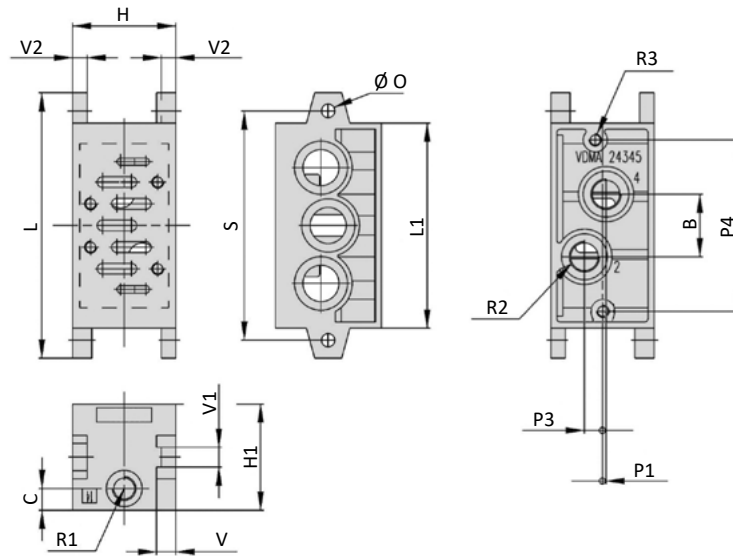
2 x mounting screw + nut

3 x O-Ring

All mounting screws and the flat gasket are part of delivery of the valves.



### Dimensions



Model-no.:	Size	B	C	H	H1	L	L1	O	P1	P2	P3	P4	R1	R2	R3	S	V	V1	V2
MI-013	ISO 1	26	8,5	43	44	110	85	5,5	1,5	3	7,5	71	G1/8	G1/4	M5	95	8	8	6
MI-023	ISO 2	30	9	56	45	135	100	6,5	5	3	6	86	G1/8	G3/8	M6	115	11	11	8
MI-035	ISO 3	38	10	71	56	190	140	9	6	3	14	130	G1/8	G1/2	M8	168	13	13	8

### Blind plate

Scope of delivery:

1 x blind plate

4 x mounting screw

1 x gasket



Model-no.: Size

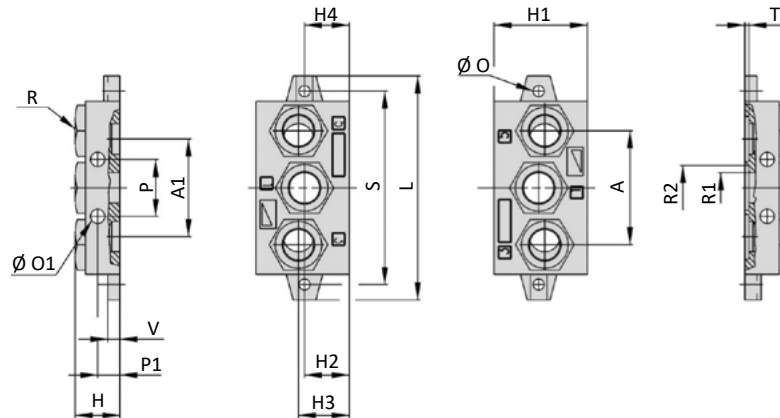
MI-01-V ISO 1

MI-02-V ISO 2

MI-03-V ISO 3

**End plate, Form E (for modular sub-base, Form C)**

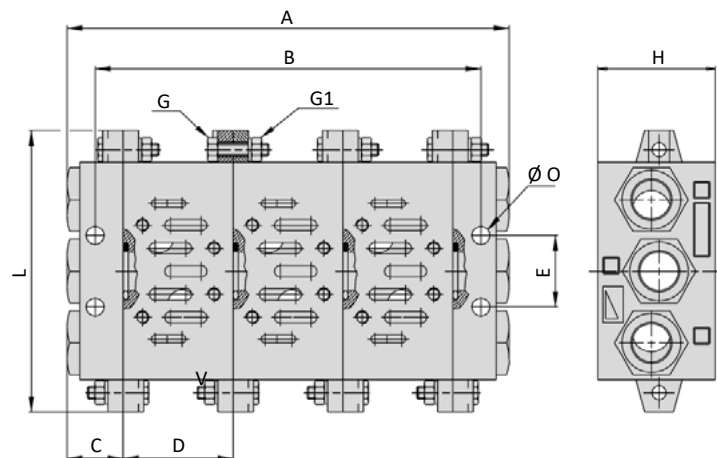
Scope of delivery:  
 2 x end plate  
 2 x mounting screw + nut  
 3 x O-Ring


**Dimensions**


Model-no.:	Size	A	A1	H	H1	H2	H3	H4	L	O	O1	P	P1	R	Ø R1	Ø R2	S	T	V
MI-01/E	ISO 1	56	48	22	46	22	25	22	110	5,5	7	28	11	G3/8	15	22,1	95	2	6
MI-02/E	ISO 2	68	63	26	47	23	25	24	135	6,5	9	35	13	G1/2	18,5	28,7	115	2	8
MI-03/E	ISO 3	104	94	30	56	22	25	25	190	9	12	52	15	G1	28	38	168	2,7	8

**Sub-base, bottom ports (modular sub-bases, Form C mounted with end plates, Form E)**

All mounting screws and the flat gasket are part of delivery of the valves.


**Dimensions**


Model-no.:	Size	A	B	C	D	E	G	G1	H	L	O
MI-013/n	ISO 1	n*D + 2C	n*D + C	22	43	28	M5 x 20	M5	46	110	7
MI-023/n	ISO 2	n*D + 2C	n*D + C	26	56	35	M6 x 25	M6	47	135	9
MI-033/n	ISO 3	n*D + 2C	n*D + C	30	71	52	M8 x 25	M8	56	190	12

## Sub-bases ISO 5599/1, Size 1

### Modular sub-base , one station, front side ports

Scope of delivery:

1 x sub-base

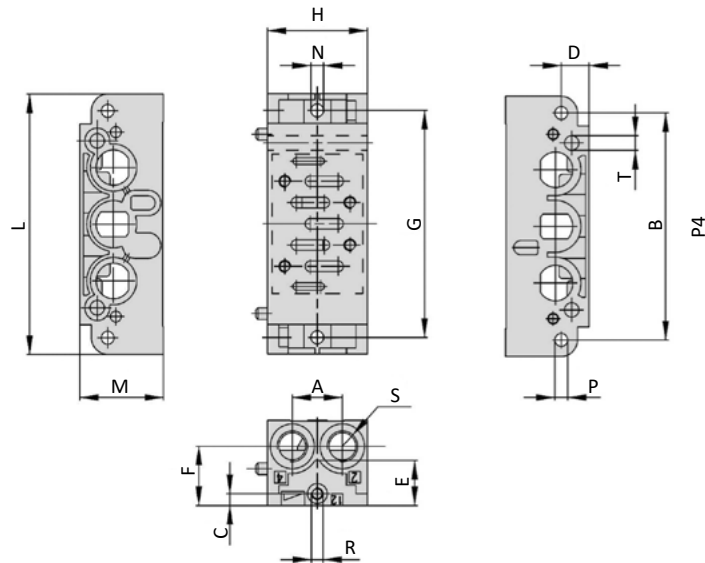
2 x mounting screw + nut

1 x gasket

All mounting screws and the flat gasket are part of delivery of the valves.



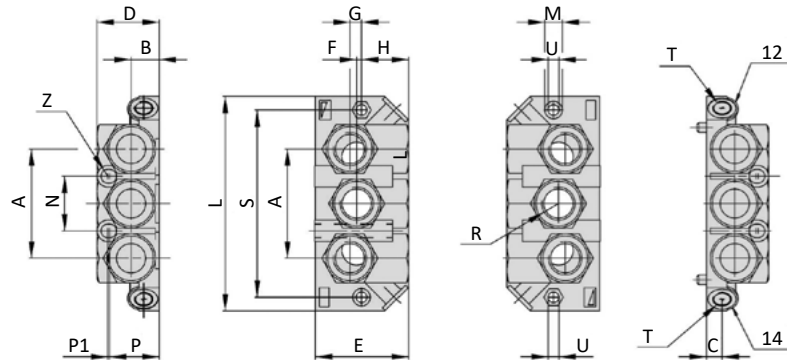
### Dimensions



Model-no.:	Size	A	B	C	D	E	F	G	H	L	M	N	P	R	S	T
MI-014	ISO 1	21,5	96	5	12	19	25	96	43	110	36	5,5	5,5	M5	G1/4	6,2

**End plate Form E (for modular sub-base , front side ports)**

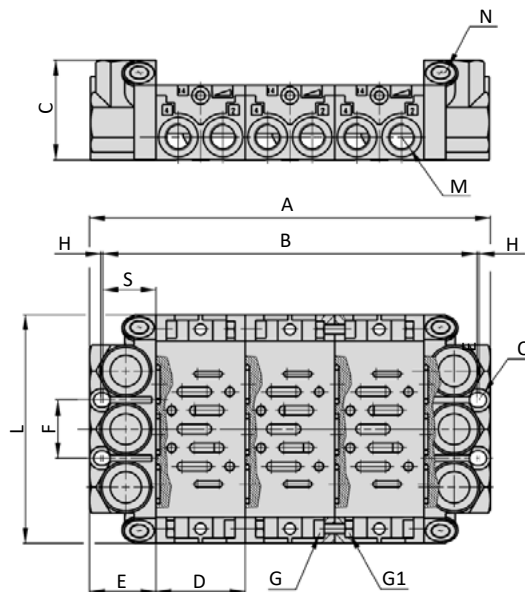
Scope of delivery:  
 2 x end plate  
 2 x mounting screw + nut  
 1 x gasket


**Dimensions**


Model-no.:	Size	A	B	C	D	E	F	G	H	L	M	N	P	P1	R	S	T	U	Z
MI-015	ISO 1	56	14,5	8	32	48	2,5	6	24	110	9	28	25,5	1	G3/8	96	G1/8	5,5	3,5

**Sub-base, side ports (modular sub-bases MI-014 mounted with end plates MI-015)**

All mounting screws and the flat gasket are part of delivery of the valves.

**Dimensions**


Model-no.:	Size	A	B	C	D	E	F	G	G1	H	L	M	N	O	S
MI-014/n	ISO 1	$n \cdot D + 2E$	$n \cdot D + 25$	48	43	32	28	$M5 \times 14$	M5	1	110	G1/4	G1/8	3,5	25,5

## Sub-bases ISO 5599/1, Size 1

### MI-01-D1 Pressure separation gasket, P closed

Scope of delivery:  
1 x gasket



### MI-01-D2 Pressure separation gasket, P-R-S closed

Scope of delivery:  
1 x gasket

